

HD-212 High-Definition 2x2 Critical Path Changeover Switcher



ISIS expands critical path protection with the HD-212, a 2x2 HD/SDI protection/changeover switch.

The HD-212 detects signal presence on both its 'A' and 'B' inputs, and transfers to the offline input upon failure of the primary feed. The unit is ideal for use in network, transmitter inputs, or satellite and cable head end operations. It is fully compliant with all SMPTE and ITU serial digital video signals up to and including 1.4835Gbps.

The HD-212 is convenient to operate and monitor from local or remote locations. Optional redundant power supplies, front-loading, hot-swappable boards, and user-selectable operation parameters enhance critical path reliability.

A standard feature of the unit is relay bypass protection of the 'A' input to the main online output. Bypass occurs in case of power failure or processor board removal. The return-to-'A' function provides for automatic return to the primary input signal upon its restoration.

The 1RU rack enclosure can house up to two processor boards and two power supplies. The optional Ethernet core processor is easily loaded onto the main processor board.

FEATURES:

- **Automatically adapts to SMPTE and ITU standards for HD/SDI and DVB/ASI data streams**
- **Input cable equalization up to 300ft (100M) of 1694A or equivalent cable**
- **Internal re-clocking**
- **All boards front loading and hot swappable**
- **Relay bypass protection of the 'A' input to main online output**
- **User selectable manual/auto operation and return to 'A'**
- **Front panel status indication and manual A/B selector**
- **9 pin 'D' connector or optional Ethernet port for remote status and control monitoring**
- **Optional redundant power supply available**

We take your success personally

119 East McKnight Way, Unit A, Grass Valley, CA 95949
 Phone: 530-477-2984 Toll Free: 888-622-4747 Fax: 530-477-2986
 E-mail: info@isis-group.com Web: www.isis-group.com

VIDEO SPECIFICATIONS

Inputs:

Number: 2
 Input type: 75Ω, BNC per IEC 169-8
 Signal level: 800mV ±10%
 Return loss: >13dB at 270Mb
 Data rate: 270Mb or 1.485Gbps
 Equalization: Automatic
 >300 meters Belden 1694A @270Mb
 >100 meters Belden 1694A @1.485Gbps

Outputs:

Number: 3 – On-line
 1 – Off-line
 Impedance: 75Ω, BNC
 Signal level: 800mV ±10%
 Return loss: >15dB at 270Mb

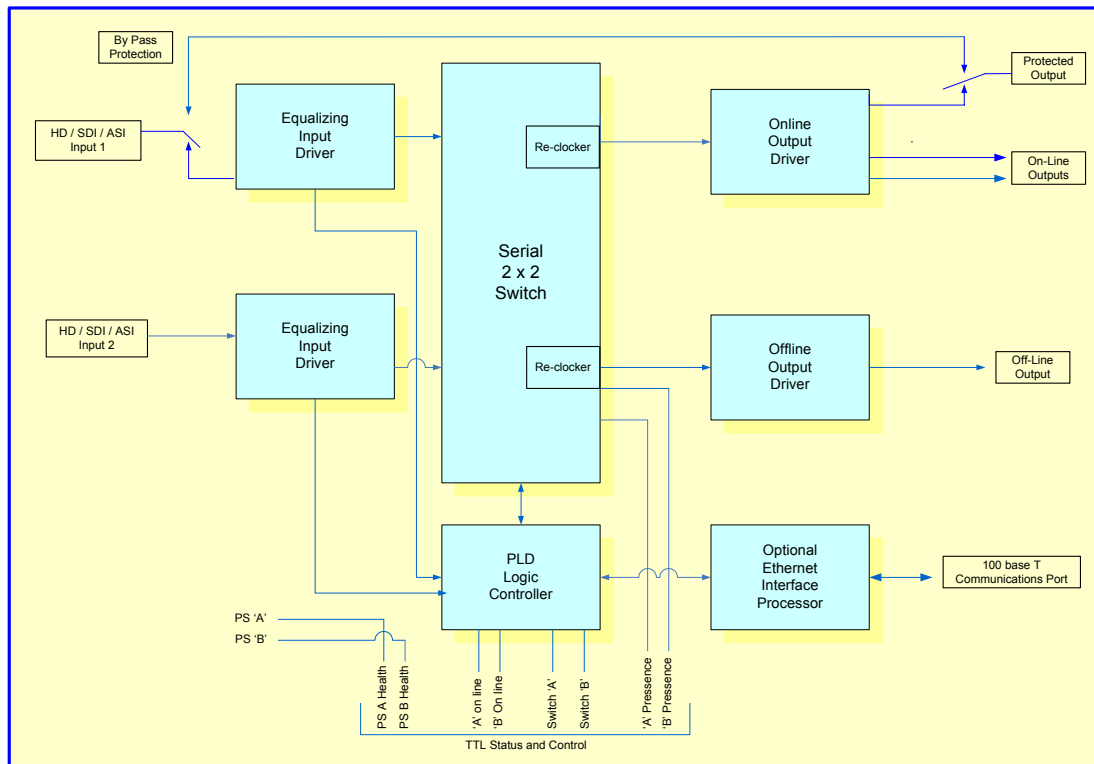
GENERAL SPECIFICATIONS

Performance: 0 to 40 degrees centigrade
 Operating: 0 to 50 degrees centigrade
 Humidity: 90% non-condensing
 Power requirements: 115/230VAC, 50/60 Hz, 20W
 Size: 1.75" x 19" x 10"
 Weight: ≈ 7 lbs 3 kg

Other:

Jitter
 HD – 125ps
 SDI – 150ps

HD-212 Block Schematic



Your local ISIS Group Distributor: