



# **VDD-101**

**Serial Digital  
Video Distribution Amplifier**



## **Statement of Warranty**

The ISIS Group, Inc. warrants its products for a period of seven (7) years from the date of shipment to be free from defects in materials and workmanship and meets applicable published specifications. Equipment which has been operated within its ratings and has not been subjected to mechanical or other abuse or modification by the purchaser, its agents, and/or employees, will, at the option of The ISIS Group, be replaced or repaired if it is returned, freight prepaid, to ISIS. Equipment that fails under conditions other than described herein will be repaired at the price of components and labor in affect at the time of repair.

This warranty is in lieu of all other warranties, expressed or implied, with respect to the condition or performance of any ISIS Group product, its merchantability or fitness for a particular purpose. ISIS is not liable for any consequential damages.

## **FCC Compliance**

This equipment has been tested and found to comply with the limits for a Class A digital device pursuant to Part 15 of the FCC Rules. These limits are designed to provide reasonable protection against harmful interference when the equipment is operated in a commercial environment. This equipment generates, uses, and can radiate radio frequency energy and, if not installed and used in accordance with the instruction manual, may cause harmful interference to radio communications. Operation of this equipment in a residential area is likely to cause harmful interference in which case the user will be required to correct the interference at his own expense.

## **Copyright**

© 2005 The ISIS Group, INC.

Contents of this publication may not be reproduced in any form without the written permission of The ISIS Group. Reproduction or reverse engineering of copyrighted software is prohibited. The information in this manual is subject to change without notice or obligation.

January 2006

Part Number 71-0028

# Installation and Operation Manual

## CONTENTS

SECTION I	GENERAL DESCRIPTION	Page 2
SECTION II	SPECIFICATIONS	Page 3
SECTION III	INSTALLATION	Page 4
SECTION IV	CIRCUIT DESCRIPTION	Page 5
SECTION V	DIAGRAMS	Page 6

## SECTION I

### VDD-101

#### General Description

The VDD-101 is a modular, high performance serial digital distribution amplifier intended for studio quality distribution of SMPTE 259M (NTSC/PAL) and 540Mbps 4:4:4:4 signals. It is designed to be operated from the ISIS VMF-100 mounting frame, and it is also pin-compatible with the Leitch\* FR-6801 and 6802 video mounting frames.

The module is configured as a one-input by eight-output amplifier, using 75Ω BNC connectors.

A front-mounted LED indicates valid presence of signal on the input BNC connector. The amplifier input stage automatically equalizes up to 300 meters of Belden 8281 or 120 meters of Cat5 UTP cable.

Each module has its own on-board voltage regulators with fuse protection. Any failure of a single module will not affect any other module in the frame.

\*Leitch is a trademark of Leitch Technology International, Inc.

## SECTION II

### VDD-101

#### Specifications

##### Input:

Impedance	75 $\Omega$
Connector type	BNC per IEC 169-8 (Differential)
Signal level	800mV $\pm$ 10%
Data Rate	<50Mbps to >650Mbps
Return Loss	19dB @ 270MHz
Equalization	120 meters Cat5 UTP

##### Outputs:

Channels	1
Outputs per channel	8
Impedance	75 $\Omega$
Return Loss	19dB @ 270MHz
Signal level	800mV $\pm$ 10%
DC Offset	0V

##### Performance:

Serial Operating Standards	SMPT E 259M serial digital interface NTSC/PAL 4:2:2 component and wide screen 540Mbps (4:4:4:4)
Error Indication	Carrier Detection LED
Output Muting	Automatic on "No Signal" detection
Jitter	180ps/pp @270Mbps

##### Temperature:

Performance	5-40 $^{\circ}$ C
Operating	0-50 $^{\circ}$ C
Power Dissipation	<1.5W

## SECTION III

### VDD-101

#### Installation and Operation

The VDD-101 serial digital video distribution amplifier is designed to be mounted in either the ISIS VMF-100 video mounting frame, (up to ten modules), or a Leitch\* video frame (such as the FR-6801 or FR-6802). There are no special cooling requirements, although care should be taken to ensure that extremely hot equipment is not installed directly beneath the frame.

It is recommended that when redundant power supplies are included in the frame, the two power cords be connected to different AC supplies. In this way the frame will continue to operate even if there is a partial failure of plant power.

For optimal performance, high quality coaxial cables and connectors (e.g. Belden 8281 or equivalent) should be used.

The LED indicator on the front edge of the module will light when a valid serial digital signal is present on the input BNC connector

\*Leitch is a trademark of Leitch Technology International, Inc.

## SECTION IV

### VDD-101

#### Circuit Description

The serial digital input signal is AC coupled into the differential inputs of the cable equalizing IC, U1, where it is automatically equalized as necessary (up to 300 meters). U1 contains logic to detect valid "signal presence", which is used to drive the front-mounted LED (Signal Present) in addition to "muting" the output when the input signal is invalid.

Pull-up resistors at the output of U1 provide ECL levels to the inputs of the cable drivers, U2 and U4. Each output driver IC accepts the signal from U1 and produces a 1.6V p-p signal (800mV terminated) on each of its four outputs. The eight 75 ohm outputs are AC coupled.

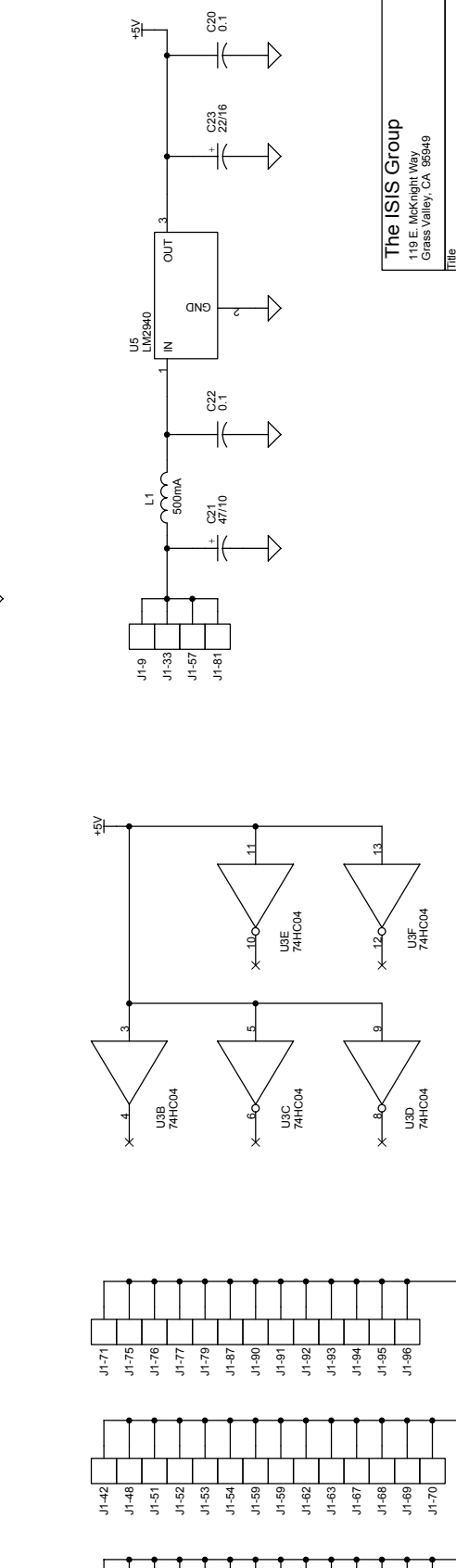
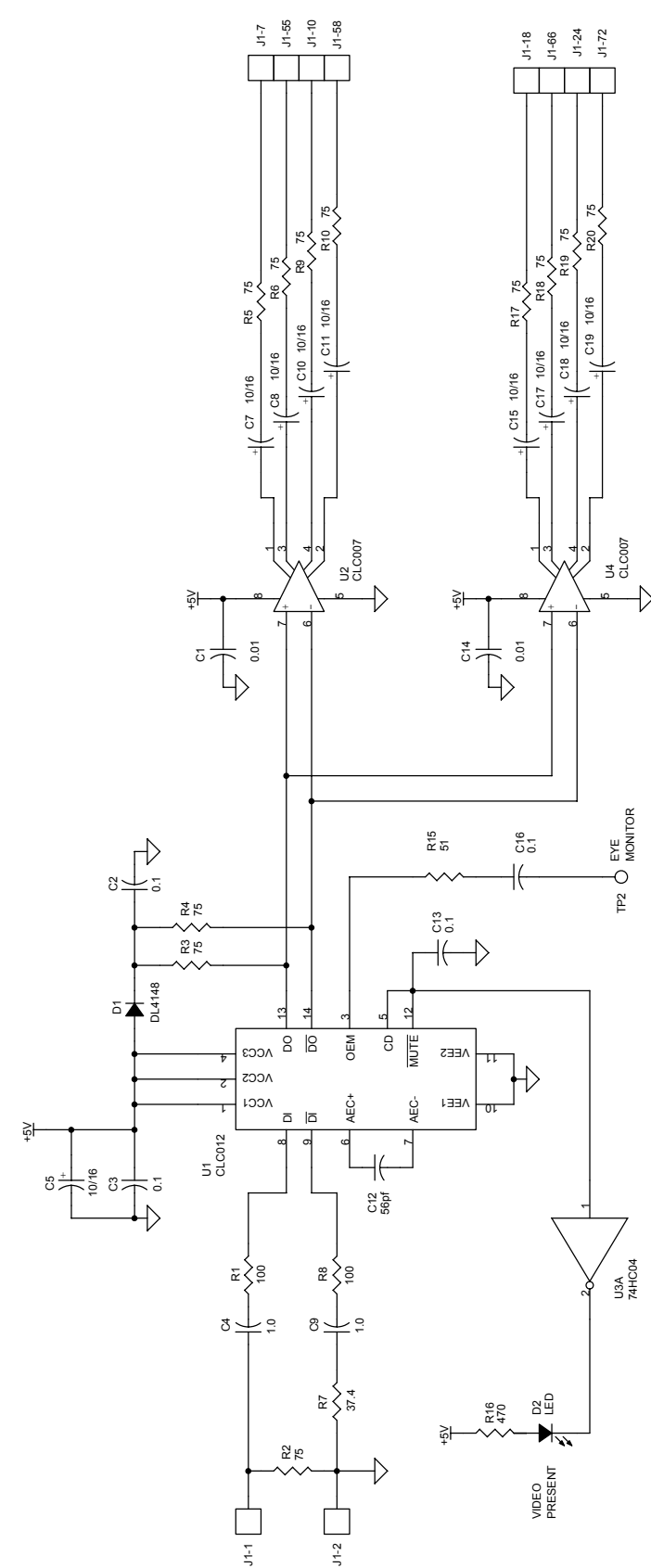
The power for the module uses a +5VDC low drop-out regulator IC on the module that receives +6.5VDC from the DA frame power supply. As the circuitry operates in PECL mode, the +5VDC is used to power the entire module.

## **SECTION V**

### **VDD-101**

#### **Diagrams**

VDD-101 VIDEO DISTRIBUTION AMPLIFIER



**The ISIS Group**  
 119 E. McKnight Way  
 Grass Valley, CA 95949

Title	VDD-101 Serial Distribution Amplifier
Size	Document Number
B	03-0104
Rev	A